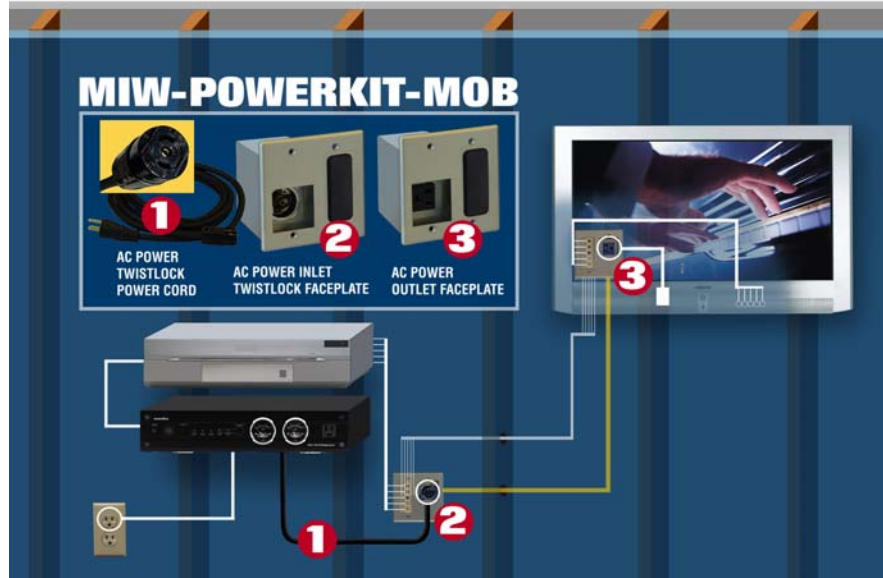


### \*Patented MAX In-Wall™ Technical Specifications

## MAX<sup>®</sup> IN-WALL™ POWERKIT-MOB

The **MAX<sup>®</sup> IN-WALL™ POWERKIT-MOB** with metal outlet boxes is the ideal solution for providing power and audio/video signals to remote display devices, amplifiers or powered subwoofers. It allows you to take advantage of the clean, protected power supplied to the head-end equipment by a Panamax MAX 5000 Series power conditioner by routing that same power through the walls to the remote device. Signal lines are handled in a similar manner by passing them through the MAX In-Wall faceplates and the wall cavity, and then connecting them directly to the source and remote devices. Optional signal line modules may be installed in the faceplates to provide additional protection and/or a clean, finished appearance. The end result is a discreet installation that hides all the signal line and power cables and meets the customer's aesthetic expectations.

The **MIW-POWERKIT-MOB** offers a CSA (US) approved, code compliant solution for providing audio/video signals and safe, clean AC power to remote devices. The metal outlet boxes have been specifically designed for use in both new and retrofit construction. When used with the appropriate conduit, the kit may be used in commercial installations as well as residential applications where Romex and plastic boxes do not meet code requirements.



### STEP 1 AC POWER CORD

The specially designed 12 foot twist lock power cord plugs into the component product and extends the power into the wall, providing a discrete, code-compliant Path to Perfect Sound & Picture™ to any remote device. The Pinnacle Power Cord is engineered to provide optimum power transfer and shield-out performance robbing noise.

- Twistlock Connector
- 12 ft. length
- Shielded against EMI/RFI noise
- 12 gauge OFC conductors

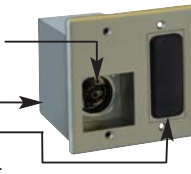


### STEP 2 POWER INLET FACEPLATE

The power cord safely connects to the special twist lock inlet wall receptacle. The unique twist-lock connector mates with the AC Power Cord to provide a safe, secure, and National Electrical Code (NEC) compliant installation. The modular signal connection allows for a variety of installation options.

- Recessed AC power outlet
- Includes metal box and mounting hardware
- Removable panel with scored rubber plug for cables or to insert module.

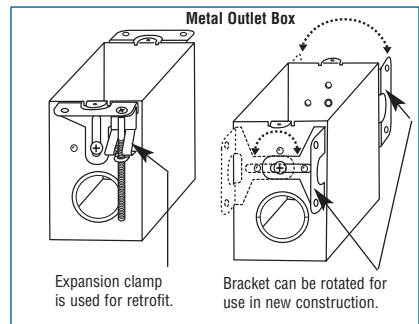
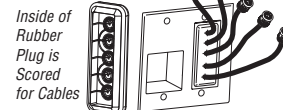
(Modules sold separately).



### STEP 3 POWER OUTLET FACEPLATE

To finish the installation, route the signal lines, install code compliant conduit & AC wiring (not included) between the Inlet and Outlet Faceplates and make the electrical connections.

- Recessed AC power outlet
- Noise Filtration
- Includes metal box and mounting hardware
- Removable panel with scored rubber plug for cables or to insert module. (Modules sold separately).



One box works in both new and retrofit construction projects.

#### GENERAL

Product Name.....MAX<sup>®</sup> IN-WALL™ POWERKIT-MOB  
Part Number.....MIW-POWERKIT-MOB  
Retail Price.....\$299.95  
Application.....Custom Home Theater Systems

#### AC CIRCUIT

AC Outlets, Total.....1  
CSA (US) Listed.....YES

#### AC POWER CORD

Length.....12 ft.  
Connectors.....NEMA 1-15P and ML-2R

#### POWER INLET FACEPLATE

AC Connector.....NEMA ML-2P  
Signal Line Protection.....Not Included / Modules Sold Separately

#### POWER OUTLET FACEPLATE

AC Connector.....NEMA 5-15R Receptacle  
Noise Filtration.....Capacitive  
Signal Line Protection.....Not Included / Modules Sold Separately

#### WARRANTY

Product Warranty.....3 Years

#### ORDERING INFORMATION

Individual Unit UPC.....0 50616 00761 0  
Package Type.....Retail Box  
Units per Master Carton.....4  
Master Carton UPC.....5 00 50616 00761 5

**NOTE:** The noise filtration level will depend on the MAX component the MIW-POWERKIT-MOB is installed with. See the specifications section in the instructions for the MAX product in your system.

\*PATENT NO. D495,301

L515 REV. A 12/04